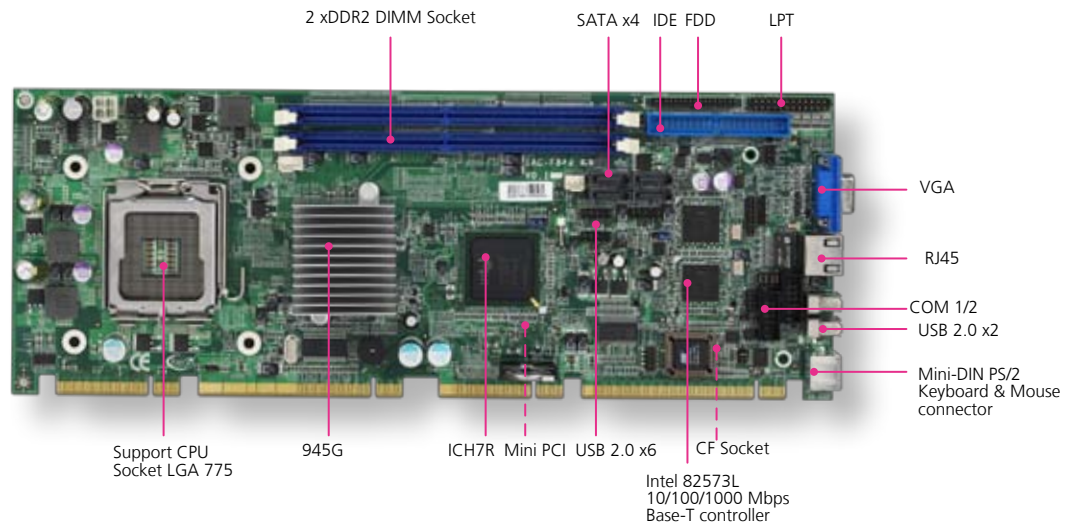


IAC-F849

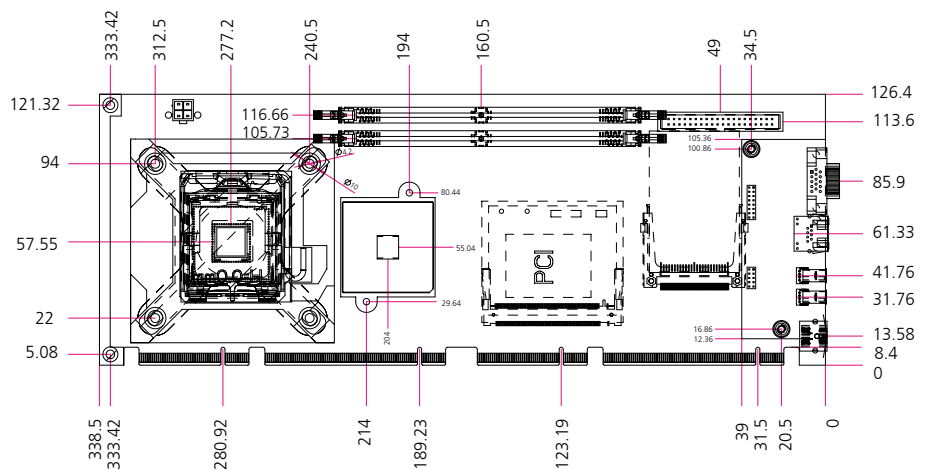
Full-Size PICMG 1.3 SBC, Intel Core 2 Duo, Dual Core Pentium 4 LGA775 with VGA/ SATA/ LAN/ USB/ CF/ COM/ Mini-PCI and optional Audio

- VGA
- SATA
- Gb LAN
- USB
- CF
- COM
- Audio



FEATURES

- Support Intel Core 2 Duo, Dual Core Pentium 4/D , LGA775
- Intel 82945G chipset with FSB 533/800/1066MHz supports Hyper-Threading Technology
- Two DIMM up to 2GB DDR2 400/533/667 Non-ECC SDRAM
- Dual Intel 82573L 10/100/1000Mbps LAN
- Type II CF, Mini-PCI socket
- PICMG 1.3 Compliant



FEATURE DESCRIPTION

Platform	Form Factor	Full-size, PICMG 1.3
	Processor	Supports LGA775 Intel Core 2 Duo, Dual Core Pentium 4/D with 533/800/1066MHz FSB
	Chipset	Intel® 82945G / 82801GB ICH7R
	BIOS	Award Flash BIOS
	Cache Memory	Processor Built-in
System Memory	Technology	DDR2 400/533/667 SDRAM, Dual-Channel
	Max Capacity	2GB
	Socket	240-pin DIMM x2
Storage Interface	Hard Drive Interface	IDE x1, Serial ATA II x4
	SSD (CF Socket)	Compact Flash II x1
Networking	Speed	10/100/1000 Mbps
	I/O	RJ45 x1, Option RJ45 x1 on Bracket
	Controller	Intel 82573L x2
Display	Controller	Intel® 82945G GMCH integrated Graphic Media Accelerator 950 built-in high quality 2D/3D engine and High definition streams for MPEG playback
	Shared memory	DVMT(UMA)mode, 1MB/8MB of memory Pre-allocated
	Output	VGA
Audio	Codec	Realtek ALC203 AC97 audio codec
	I/O	Mic-in, Line-in, Speaker-out via add on bracket Module
I/O Interface	Floppy Drive Interface	FDD header 2.0mm x 1
	Serial Port	RS-232 x1, RS-232/422/485 x1
	Parallel Port	LPT Pin Header 2.54mm x 1
	Universal Serial Bus	6 (v 2.0) Pin headers, 2 ports
	Serial ATA	4
	Digital I/O	4bit Digital I/O with pin-header (4 in/4 out)
	Bus interface	PCI-E/ PCI /ISA
	IR Interface	115k bps, IrDA 1.0 compliant with pin-header connector
Hardware Monitoring	Keyboard & Mouse	Mini-DIN PS/2 x1
	Controller	iTE8712F-S Super I/O including CPU temperature, Voltage and FAN Monitoring
	RTC	RTC with Li-Battery
	Watchdog timer	256-level time-out intervals
Cooling		Heatsink & Fan
Expansion		Mini-PCI x1
Environmental Parameters	Temperature, ambient operating	0~60°C (32~140°F)
	Humidity (RH), ambient operating	5~95% relative humidity, non-condensing
	Storage Temperature	-20~70°C (-4~158°F)
Physical Dimensions	Dimensions	338x122mm (13.3" x 4.8")
Power	Input	+12V, +5V, -12V power input
	Form Factor	ATX support
Compliance		CE, RoHS

ORDERING INFORMATION

IAC-F849A	2 x Gb LAN + GMA950 VGA + Audio module
IAC-F849B	1 x Gb LAN + GMA950 VGA
IAC-SL01	Audio and Gb LAN module

OPTIONAL ACCESSORIES

ITEM	DESCRIPTION	PART NUMBER
IAC-SL01	RJ45 x1, AC97 audio Line-out, Line-in and Mic-in by Phone-jack	