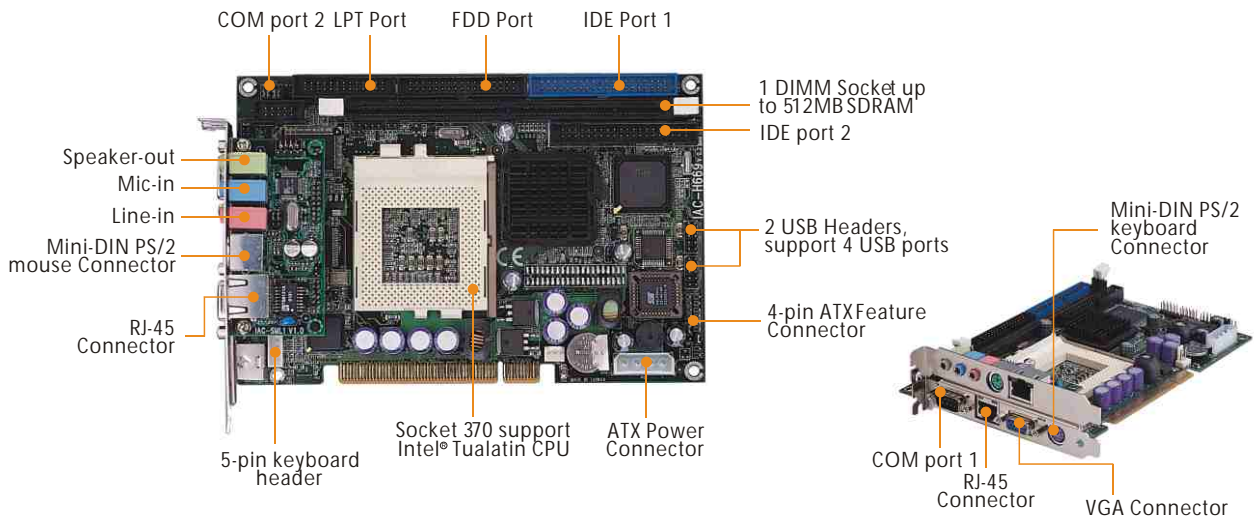


# IAC-H669A

Half-Size Socket 370 Tualatin SBC with VGA/2xLAN/Sound in PCI bus

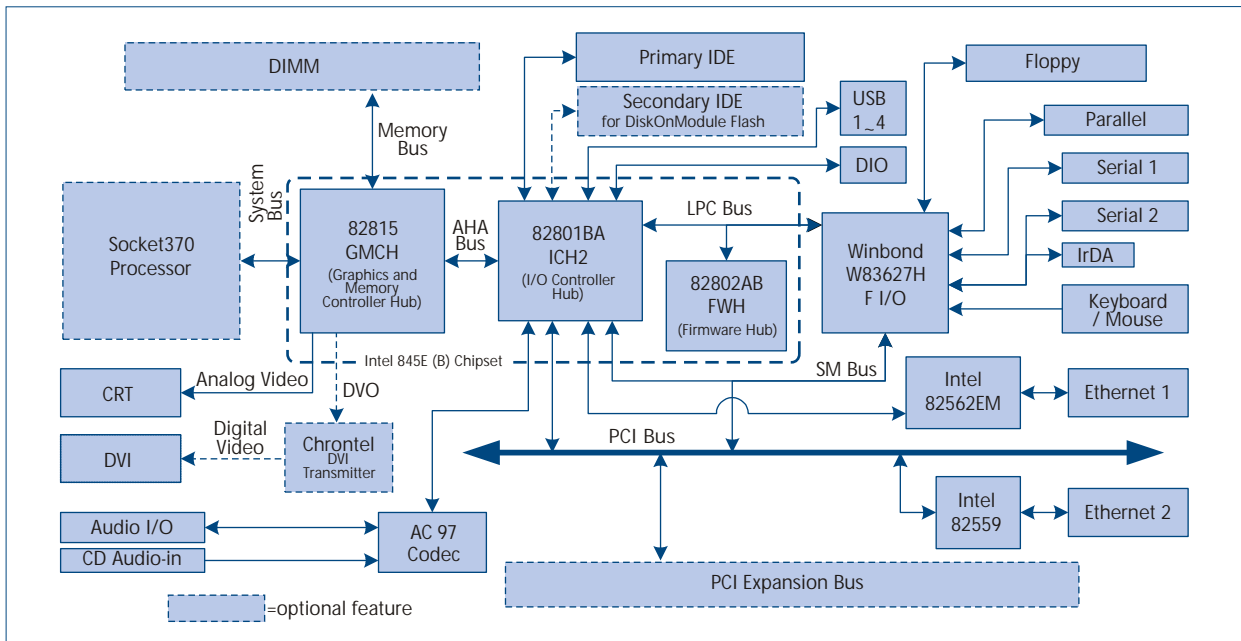


## FEATURES

PCI Bus  
 Support Intel® Tualatin CPU up to 1.26GHz  
 On-board Intel® 100/100 Base-TX Ethernet controller

Built-in AGP VGA, shared system memory up to 4MB  
 Built-in Sound function

## DIAGRAM



# IAC-H669A

Half-Size Socket 370 Tualatin SBC with VGA/2xLAN/Sound in PCI

SBC


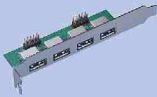
## SPECIFICATION

|                            |                                                                                                                                                                         |
|----------------------------|-------------------------------------------------------------------------------------------------------------------------------------------------------------------------|
| CPU                        | Intel® Tualatin (1.13/1.2/1.26GHz) & Coppermine Pentium® III /Celeron™ processor in Socket 370                                                                          |
| Chipset                    | Intel® 815E Chipset B step, Intel® 82562ET and 82559 LAN chip, W83627HF(Winbond) I/O Chipset                                                                            |
| BIOS                       | AMI® licensed BIOS                                                                                                                                                      |
| System Memory              | 1 x 168-pin DIMM socket, support up to 512MB SDRAM                                                                                                                      |
| VGA Controller             | Intel® graphic controller with Intel's Dynamic Video memory Technology, shared system memory up to 4MB, resolution up to 1600x1200x256 colors @ 85Hz, with VGA function |
| Ethernet                   | Intel® 82562ET and Intel 82559 chip, support dual 10/100 Base-TX Ethernet, Wake-On-LAN support via ATX Power supply                                                     |
| Audio/Sound                | AC 97 2.0 Codec, CD-in (Mic-in, Speak-out/ Line-out, Line-in headers are in accessoreis)                                                                                |
| IDE Interface              | 2 x PCI IDE ports support up to 4 IDE devices and Ultra DMA/100/66/33                                                                                                   |
| Floppy Drive Interface     | 1 FDD port, support up to 2 floppy devices                                                                                                                              |
| Serial Port                | 2 COM ports, 1 x RS-232 and 1 x RS-232/422/485                                                                                                                          |
| Parallel Port              | 1 multi-mode parallel port (SPP/EPP/ECP)                                                                                                                                |
| Bus Interface              | PCI expansion bus (Rev. 2.2 compatible)                                                                                                                                 |
| Universal Serial Bus       | Support 4 USB ports                                                                                                                                                     |
| IR Interface               | Support 1 IrDA header                                                                                                                                                   |
| Keyboard Connector         | 5-pin header                                                                                                                                                            |
| Keyboard / Mouse Connector | 6-pin Mini-DIN PS/2 mouse & keyboard connector                                                                                                                          |
| Power Connector            | 4-pin power connector & 4-pin ATX function pin header                                                                                                                   |
| RTC                        | Internal RTC with Li battery                                                                                                                                            |
| Watchdog Timer             | 64-level time-out intervals by software program                                                                                                                         |
| Power Consumption          | +5V@7.17A (PIII 1G, 512MB SDRAM) +12V: 470mA                                                                                                                            |
| Hardware Monitor           | Enhanced hardware monitor functions                                                                                                                                     |
| Operating Temperature      | 0°C ~ 60°C                                                                                                                                                              |
| Storage Temperature        | -10°C ~ 70°C                                                                                                                                                            |
| Humidity                   | 5% ~ 95% RH, non-condensing                                                                                                                                             |
| Dimensions                 | 185 x 122 mm (7 1/4" x 4 5/6")                                                                                                                                          |
| Net Weight                 | 250g (0.55 pounds)                                                                                                                                                      |

## ORDERING INFORMATION

|           |                           |
|-----------|---------------------------|
| IAC-H669A | with VGA/ Dual LAN/ Audio |
| IAC-H669B | with VGA/ LAN only        |

## OPTIONAL

|                                                                                     | Item                     | Part Number   |
|-------------------------------------------------------------------------------------|--------------------------|---------------|
|  | USB Y cable with bracket | 0800100100002 |
|  | 4-Ports USB cable kit    | S01USB1000110 |