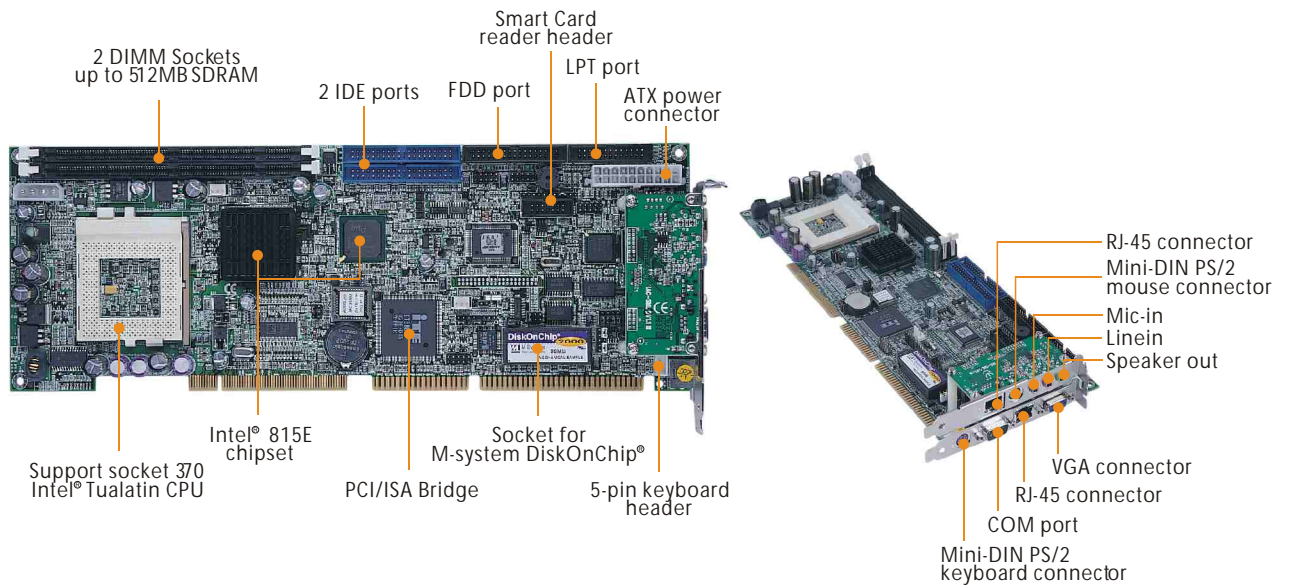


# IAC-F689A

Full-size Socket 370 PIII SBC with VGA/2xLAN/Sound

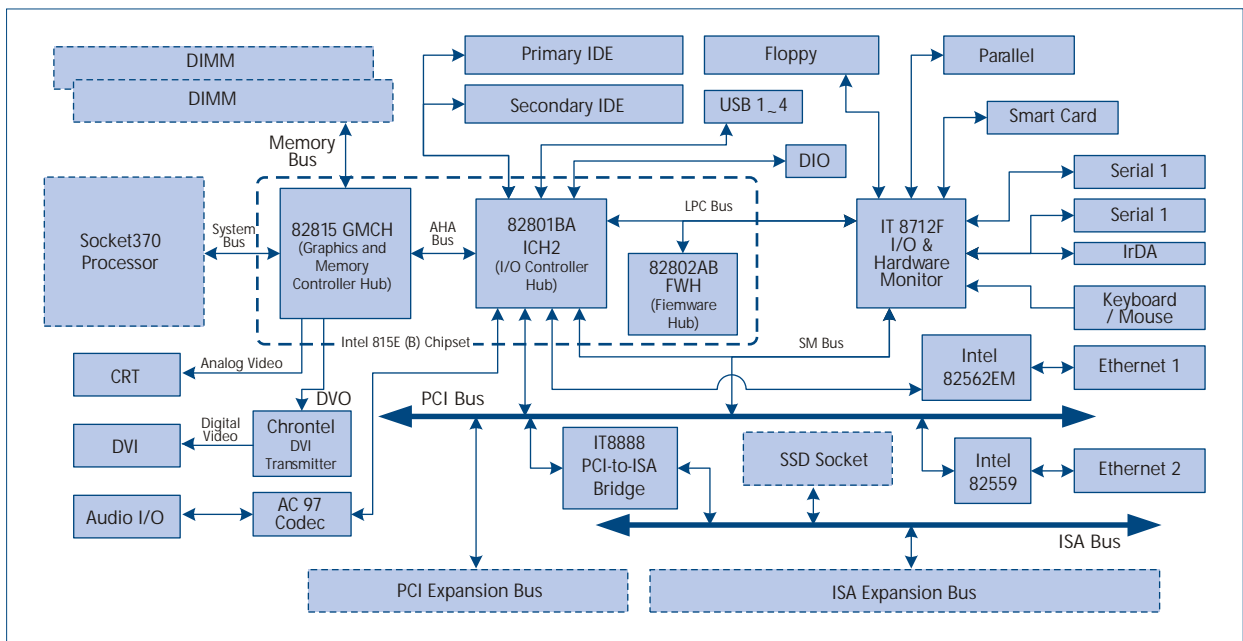


## FEATURES

Support Intel® Tualatin & Coppermine Pentium® III/  
Celeron™ Socket 370 CPU  
Intel® 815E chipset  
Two DIMM sockets, support 512MB SDRAM  
Internal graphic controller with VGA function

On board Intel® 82562ET and Intel 82559 chip, support  
10/100M Base-T Ethernet  
Provides Wake-On-LAN and Alert-On-LAN functions  
Support 4 IDE devices and Ultra ATA/100/66/33 mode  
One 14-pin Smart Card interface

## DIAGRAM



# IAC-F689A

Full-size Socket 370 PIII SBC with VGA/2xLAN/Sound

SBC


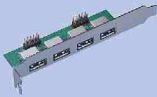
## SPECIFICATION

CPU	Intel® Tualatin (1.13/1.2/1.26GHz) & Coppermine Pentium® III / Celeron™ Processor in Socket 370
Chipset	Intel® 815E chipset B step, Intel® 82562ET and 82559 LAN chip, ITE 8712 I/O chipset
BIOS	AMI® licensed BIOS
System Memory	2 x 168-pin DIMM sockets, support up to 512MB SDRAM
VGA Controller	Internal graphic controller with Intel's Dynamic Video Memory Technology, shared system memory up to 4MB, resolution up to 1600x1200x256 colors@85Hz, with VGA function
Ethernet	Intel® 82562ET and Intel® 82559 chip, support 10/100BASE-TX Ethernet, Wake-On-LAN, supported via ATX power supply
Audio/Sound	AC 97 2.0 Codec, CD-in header on-board (Mic-In, Speakout/Line-Out, Line-In headers are in accessories)
Flash Memory Disk	Reserved socket for DiskOnChip® from M-System, support up to 144MB flash memory disk
Smart Card Interface	2 x 7-pin Smart Card interface
IDE Interface	2 PCI IDE port that support up to 4 IDE devices and Ultra ATA/100/66/33
Floppy Drive Interface	1 FDD port, support up to 2 floppy devices
Serial Port	2 COM ports, 1 x RS-232 and 1 x RS-232/422/485
Parallel Port	1 multi-mode parallel port (SPP/EPP/ECP)
Bus Interface	PCI/ISA bus (PICMG 2.0)
Universal Serial Bus	Support 4 USB ports
IR Interface	Support 1 IrDA header
Digital I/O	4-bit digital I/O header
Keyboard Connector	5-pin header
Keyboard / Mouse Connector	On board 6-pin Mini-DIN PS/2 mouse & keyboard
Power Connector	4-pin power input (+5V, GND, GND, +12V) & 20-pin ATXpower input
RTC	Internal RTC with Li battery
Watchdog Timer	16-level time-out intervals
Power Consumption	+5V@6.32A (Pentium® III 1GHz, 256MB x 2 SDRAM) +12V: 210mA
Hardware Monitor	Enhanced hardware monitor functions
Operating Temperature	0°C ~ 60°C
Storage Temperature	-20°C ~ 70°C
Humidity	5% ~ 95% RH, non-condensing
Dimensions	338.5 x 122 mm (13 1/4" x 4 5/6")
Net Weight	360g (0.79 pounds)

## ORDERING INFORMATION

IAC-F689A	With VGA/ 2xLAN/ Audio
IAC-F689B	With VGA/ LAN only

## OPTIONAL

	Item	Part Number
	USB Y cable with bracket	080010010002
	4-Ports USB cable kit	S01USB1000110