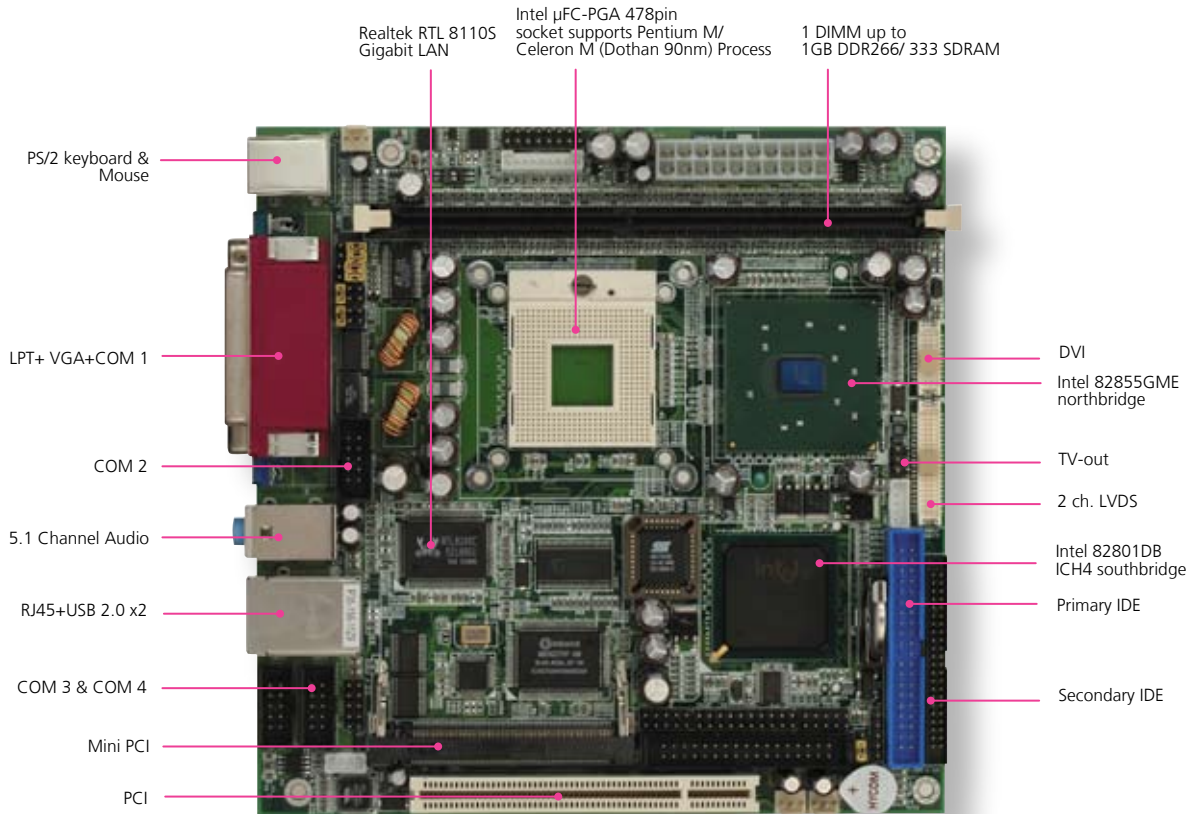


# EM-9642

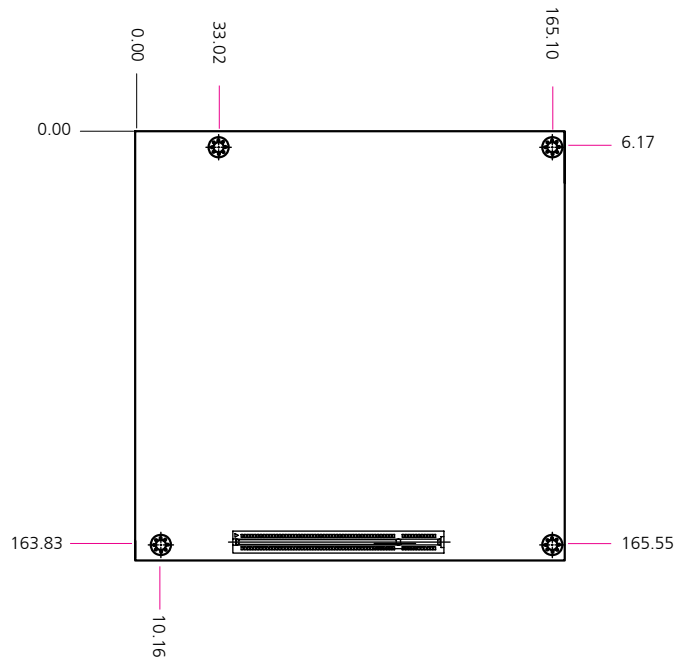
Mini ITX Intel® 855GME  $\mu$ FC-PGA 478 Pentium® M/Celeron® M motherboard with dual display/ Audio/ LAN/ COM/ USB

- VGA
- LCD
- AUDIO
- LAN
- CF
- TV
- COM
- USB



## FEATURES

- Supports 90nm Intel  $\mu$ FC-PGA 478 /  $\mu$ FC-BGA 479 Pentium M / Celeron M CPU
- Intel 82855GME Chipset
- One DIMM up to 1 GB DDR 266/333 SDRAM with ECC Supported
- DVI, 2-CH LVDS, Dual View, Optional Built-in Touch Screen I/F
- 5.1 CH Audio, TV-out
- Realtek RTL8110S Gigabit LAN
- 1 PCI, 1 Mini PCI, Type I/II CF
- 4 COM, 6 USB 2.0, 16-bit GPIO



FEATURE	DESCRIPTION	
<b>Platform</b>	Form Factor	Mini-ITX
	Processor	Intel Pentium M , Intel Celeron M , Socket 478
	Chipset	Intel 82855GME GMCH + ICH4
	BIOS	Award Flash BIOS
	Cache Memory	Processor Built-in
<b>System Memory</b>	Technology	DDR 266/333 SDRAM
	Max Capacity	1 GB
	Socket	184-pin DIMM x1
<b>Storage Interface</b>	IDE Interface	IDE x2
	Speed	10/100/1000 Mbps
<b>Networking</b>	I/O	RJ45 x1
	Controller	Realtek RTL8110S
<b>Display</b>	Controller	Intel 82855GME GMCH integrated 2D/3D Extreme Graphics Engine
	Shared memory	Support 16/32/64 MB frame buffer
	Output	LVDS,DVI,TV-out
	Codec	Intel ICH4 with VIA VT1616 supports 5.1 CH Audio
<b>Audio</b>	I/O	Mic-in, Line-in, CD Audio-in, Line-out
	Floppy Drive Interface	FDD header x1
<b>I/O Interface</b>	Serial Port	RS-232 x 3, RS-232/422/485 x1
	Universal Serial Bus	6 (v2.0)
	Bus interface	PCI
	IR Interface	115k bps, IrDA 1.0 compliant
	Keyboard	PS/2
	Mouse	PS/2
	Controller	Winbond W83627HF-AW integrated Hardware monitor function
	RTC	Winbond W83627HF-AW integrated RTC with Li-Battery
<b>Hardware Monitoring</b>	Watchdog timer	256-level time-out intervals
	Cooling	Heatsink & Fan
<b>Expansion</b>	PCI slot x1	
<b>Environmental Parameters</b>	Temperature, ambient operating	0~60°C (32~140°F)
	Humidity (RH), ambient operating	0%~90% relative humidity, non-condensing
	Storage Temperature	-20~70°C (-4~158°F)
<b>Physical Dimensions</b>	Dimensions	170 mm x 170 mm (6.69" x 6.69" )
	Input	DC +3.3V/+5V/+12V/+5Vsb
	Form Factor	ATX support
<b>Power</b>	Consumption	+5 V @ 3.34 A, +12 V @ 0.09 A, +3.3 V @ 3.74 A, 5 Vsb @ 0.23 A (with Intel Pentium M 1.8 GHz & 256 MB DDR SDRAM)
	<b>Compliance</b>	CE, FCC,RoHS

## ORDERING INFORMATION

<b>EM-9642A</b>	LVDS+DVI/TV-OUT/4 COMS/CF/PCI/Mini PCI
<b>EM-9642B</b>	LVDS/2 COMS/PCI

## PLATFORM ARCHITECTURE

